



BY251 ~ BY255

MEDIUM CURRENT PLASTIC RECTIFIER

VOLTAGE 200 to 1300 Volts **CURRENT** 3.0 Amperes

DO-201AD

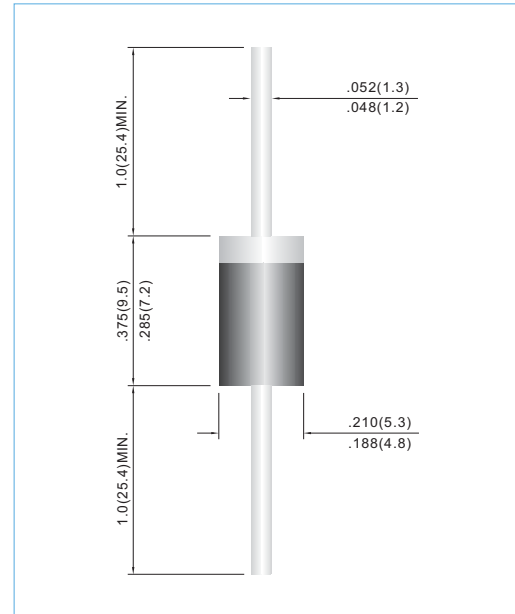
Unit: inch(mm)

FEATURES

- High current capability.
- Plastic package has Underwriters Laboratories Flammability Classification 94V-O
- Void-free Plastic in DO-201AD package.
- Exceeds environmental standards of MIL-S-19500/228
- Low leakage .
- In compliance with EU RoHS 2002/95/EC directives

MECHANICAL DATA

- Case: Molded plastic, DO-201AD
- Terminals: Axial leads, solderable to MIL-STD-750, Method 2026
- Polarity: Color Band denotes cathode end
- Mounting Position: Any
- Weight: 0.0395 ounce, 1.122 grams



MAXIMUM RATINGS AND ELECTRICAL CHARACTERISTICS

Ratings at 25°C ambient temperature unless otherwise specified.
Resistive or inductive load, 60Hz.

PARAMETER	SYMBOL	BY251	BY252	BY253	BY254	BY255	UNITS	
Maximum Recurrent Peak Reverse Voltage	V_{RRM}	200	400	600	800	1300	V	
Maximum RMS Voltage	V_{RMS}	140	280	420	560	910	V	
Maximum DC Blocking Voltage	V_{DC}	200	400	600	800	1300	V	
Maximum Average Forward Current .375"(9.5mm) lead length	$I_{F(AV)}$	3.0						A
Peak Forward Surge Current : 8.3ms single half sine-wave superimposed on rated load(JEDEC method)	I_{FSM}	100						A
Maximum Forward Voltage at 3.0A	V_F	1.1						V
Maximum DC Reverse Current at $T_J=25^{\circ}C$ Rated DC Blocking Voltage $T_J=100^{\circ}C$	I_R	5.0 1000						μA
Typical Junction capacitance (Note 1)	C_J	40						pF
Typical Thermal Resistance(Note 2)	$R_{\theta JA}$	15						$^{\circ}C / W$
Operating Junction and Storage Temperature Range	T_J, T_{STG}	-55 to +150						$^{\circ}C$

NOTES:

1. Measured at 1 MHz and applied reverse voltage of 4.0 volts.
2. Thermal resistance from junction to ambient.
3. Reverse Recovery Test Conditions: $I_F=0.5A$, $I_R=1.0A$, $I_{rr}=0.25A$



BY251 ~ BY255

RATING AND CHARACTERISTIC CURVES

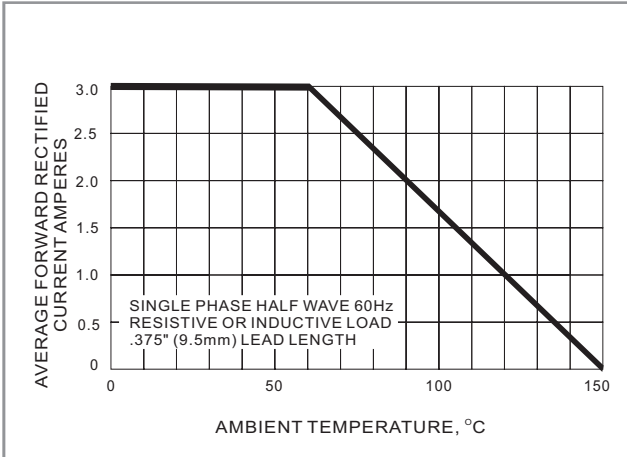


FIG. 1 FORWARD CURRENT DERATING CURVE

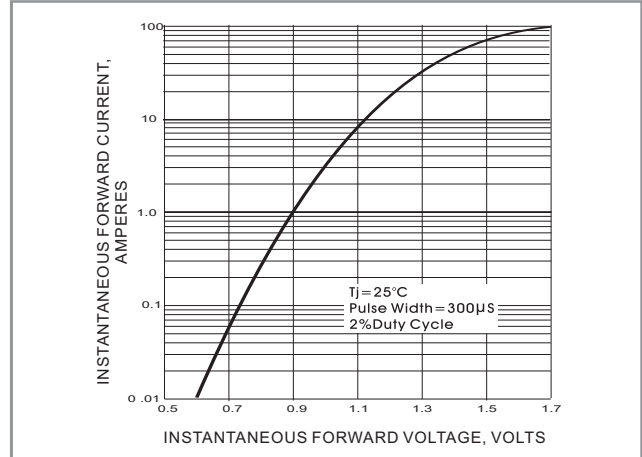


FIG. 2 TYPICAL FORWARD CHARACTERISTICS

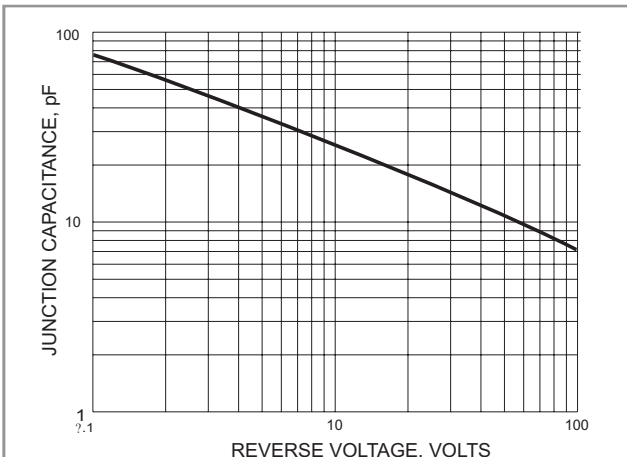


FIG. 3 TYPICAL JUNCTION CAPACITANCE

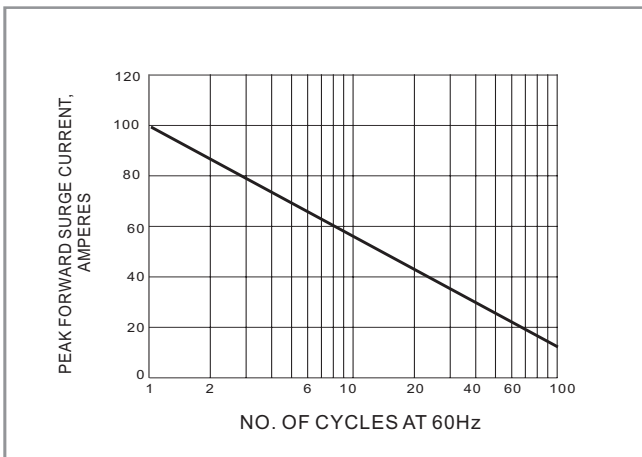


Fig. 4 MAXIMUM NON REPETITIVE PEAK SURGE CURRENT

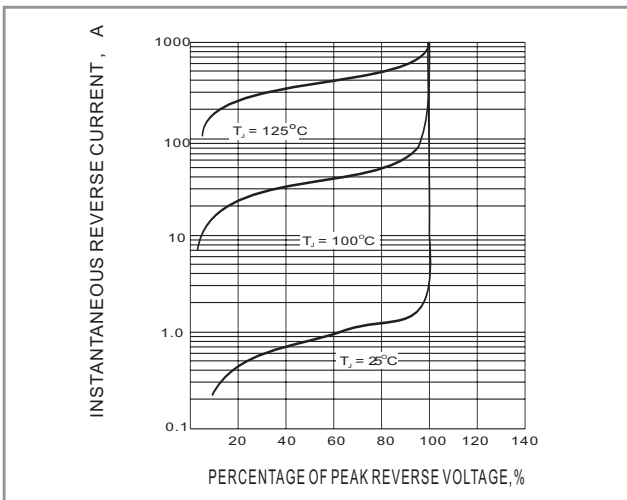


Fig. 5-TYPICAL REVERSE CHARACTERISTIC